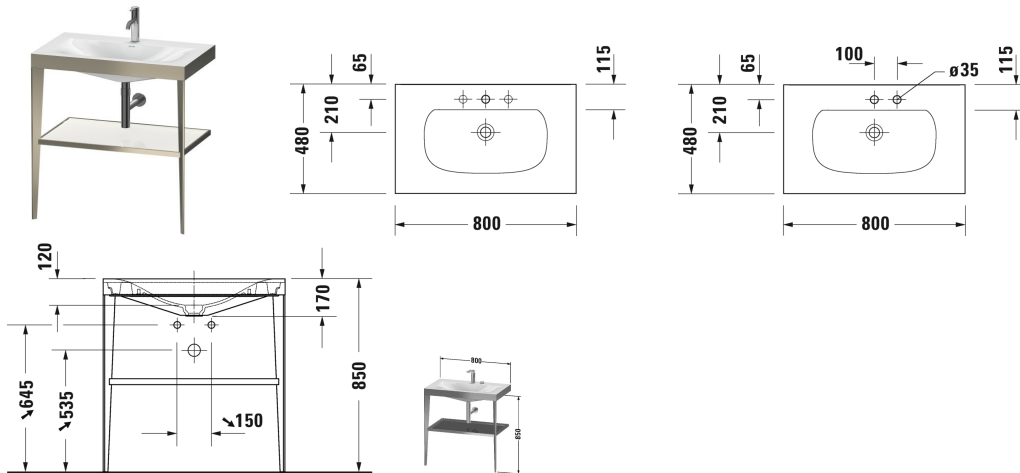


XViu Furniture washbasin c-bonded with metal console floor-standing # XV4715 N/O/E

| < 800 mm > |



Furniture washbasin c-bonded with metal console floor-standing	Dimension	Weight	Order number
<p>Glas inserts with four-sided aluminum frame (safety glass), furniture washbasin Viu included, without overflow, with tap platform, Acrylic cover on the underside of the ceramic, ceramic covered slotted waste included, Metal console with integrated height adjustment</p>			
Colors			
<p>M10 Apricot Pearl High Gloss Lacquer M40 Black High Gloss Lacquer M85 White High Gloss Lacquer M89 Flannel Grey High Gloss Lacquer</p>			
Variant			
	800 x 480 mm		XV4715 N/O/E
Infobox			
<p>Price, please see page XXX, # XV 4715 available from stock: 0 = with one faucet hole, B1/85 = Champagne Matt console / White glass insert and B2/40 = Black Matt console / Black glass insert, The c-bonded frame is permanently bonded to the washbasin and is delivered together with glass inserts and the disassembled metal console in one packaging unit, Washbasin not available in WonderGliss, Ceramic is fixed to the wall via two mounting rails and hanger bolts, Floorstanding vanities require wall fixation as per installation instructions, Design siphon #005036 is recommended, In combination with the D.1e electronic basin mixer it is only possible to completely cover all components with the acrylic cover on the underside in the version with surface-mounted power supply unit. Exact position of the electric field see mounting instruction. For the version with plug-in power supply unit, the power supply (socket) must be placed outside the acrylic cover., Description of furniture washbasin c-bonded on page XXX, Please specify when ordering: - tap hole (N = without tap hole: •, 0 = with one tap hole: p, E = with two tap holes: p p, - Surface of the glass shelf, - Surface of the metal console including the three-sided c-bonded frame</p>			

All drawings contain the necessary measurements which are subject to standard tolerances. They are stated in mm and are non-binding. Exact measurements, in particular for customised installation scenarios, can only be taken from the finished piece.